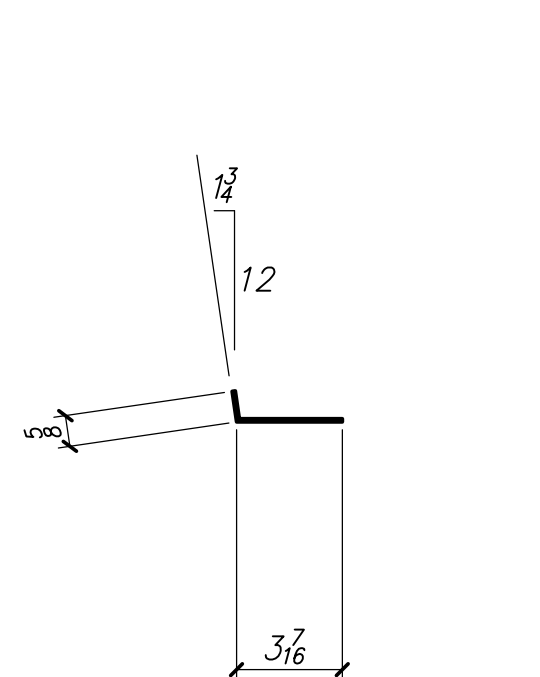


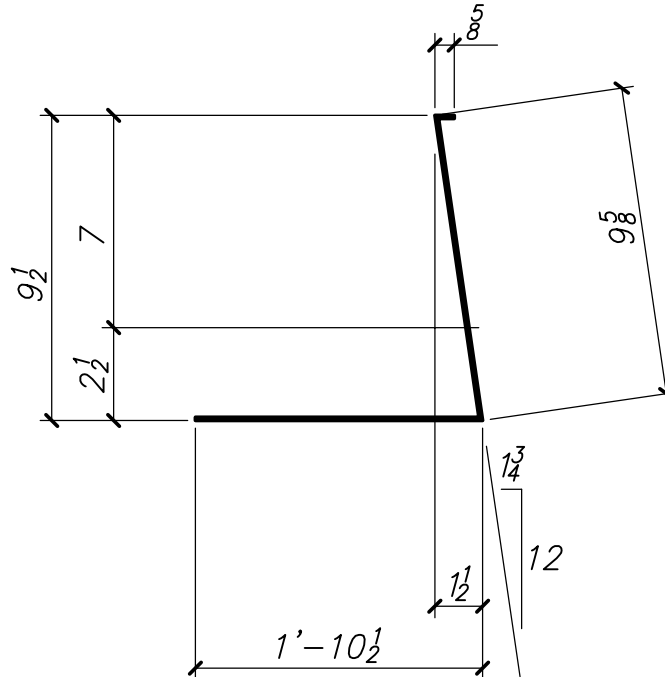
BT.#12GA.x21¹/₈x5'-4¹/₂(SQ.2.E.)

44-PANS-22P1



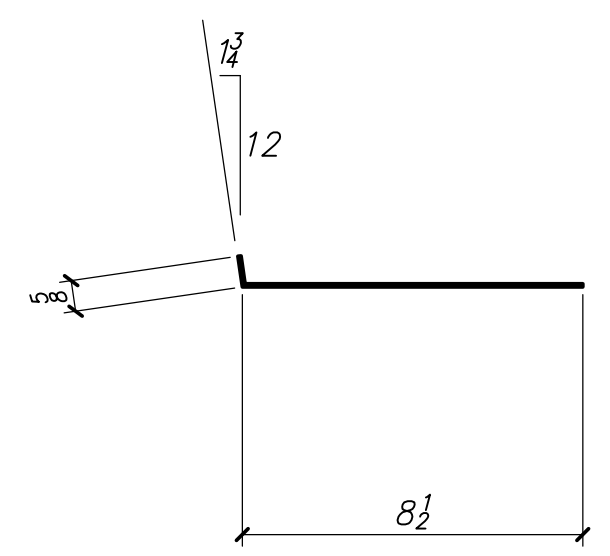
BT.#12GA.x3³/₈x5'-4¹/₂(SQ.2.E.)

2-PANS-22P4



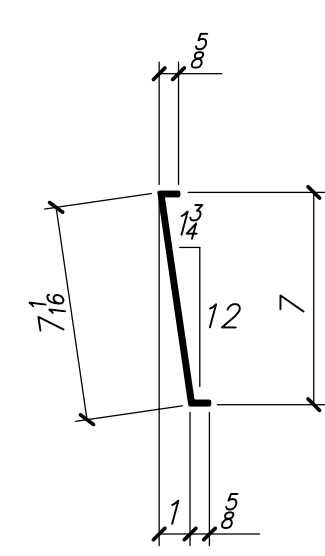
BT.#12GA.x32³/₈x5'-4¹/₂(SQ.2.E.)

2-PANS-22P3



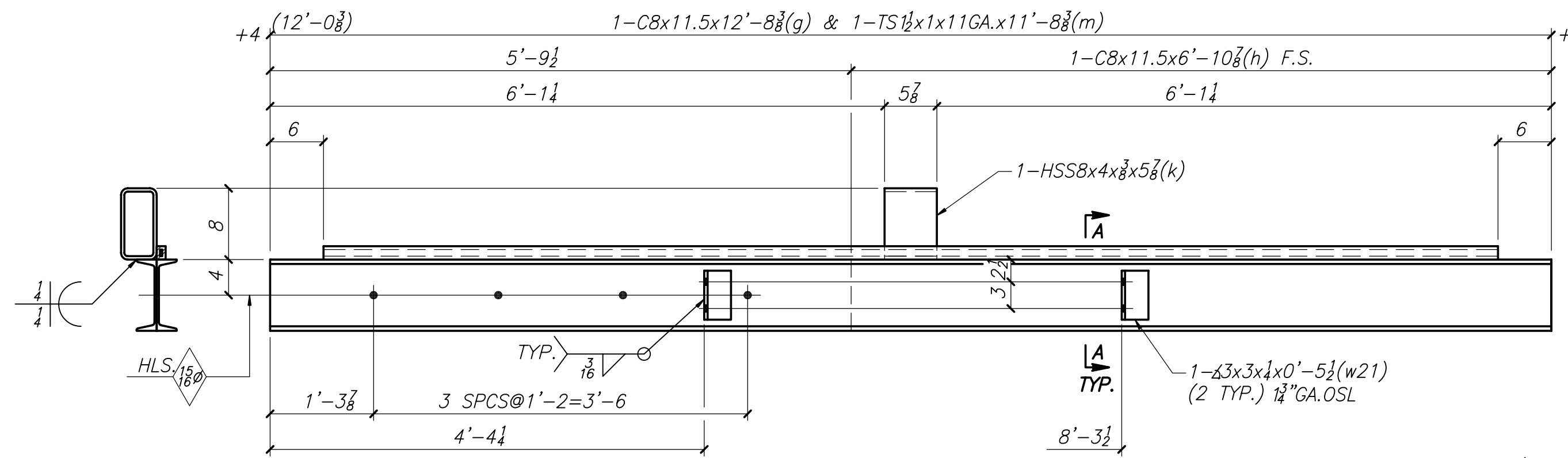
BT.#12GA.x8¹/₈x5'-4¹/₂(SQ.2.E.)

2-PANS-22P2



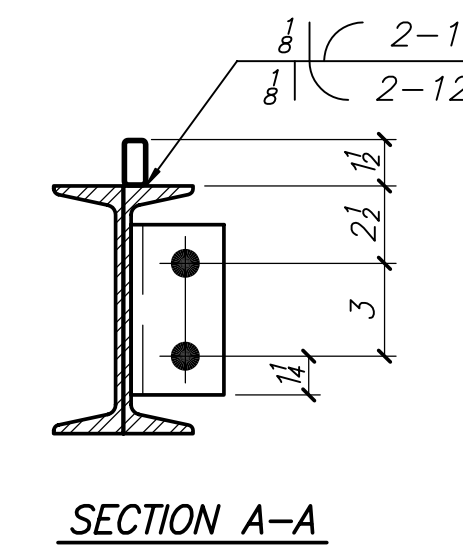
BT.#12GA.x7¹/₈x5'-4¹/₂(SQ.2.E.)

2-CLOSURES-22CL1

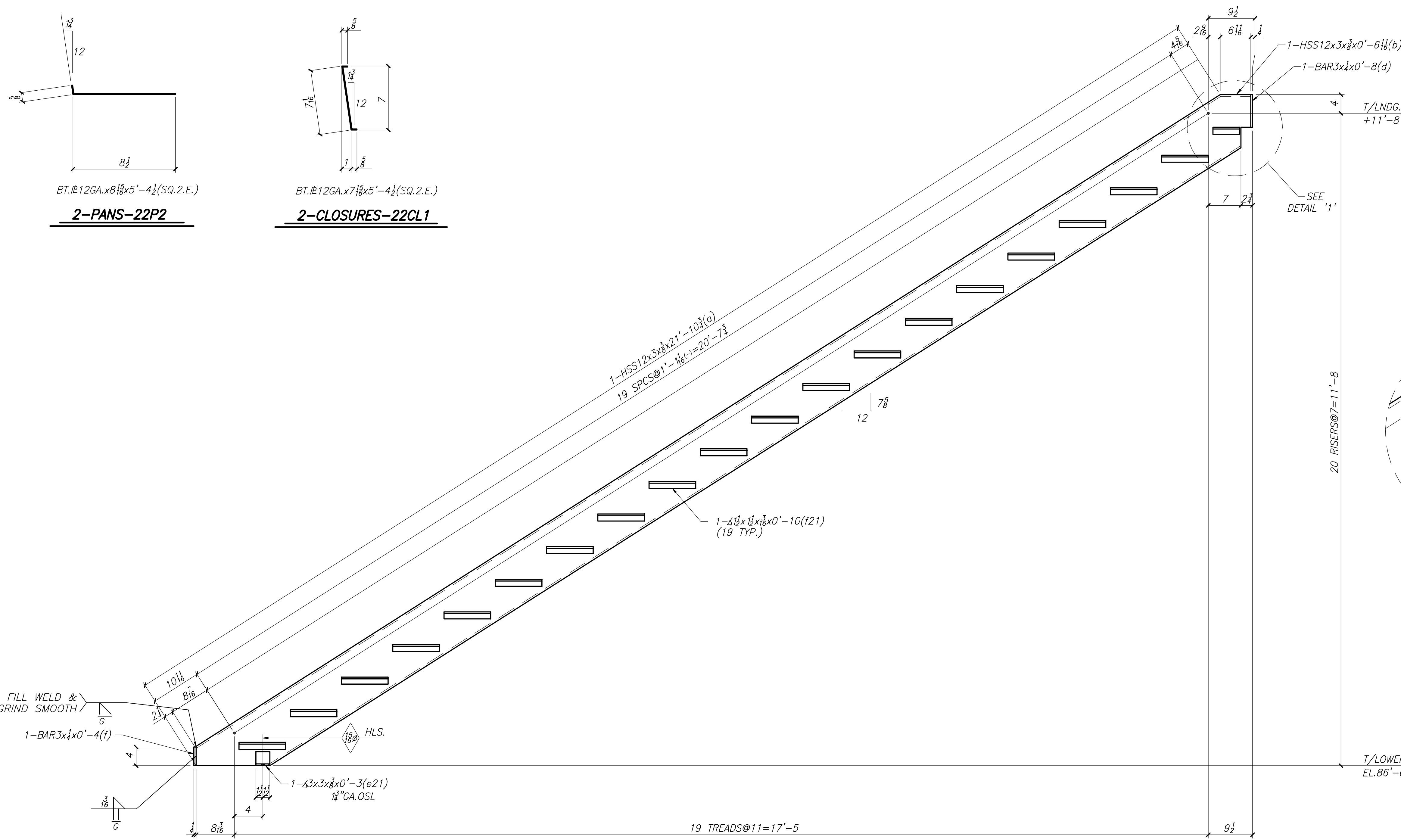


2-HEADERS-22H1

8-WEDGE ANCHORS 3/4x4 1/2" LG. - 21WA1
8-A325 3/4x2 1/2" LG. W/N&W - 21FB1

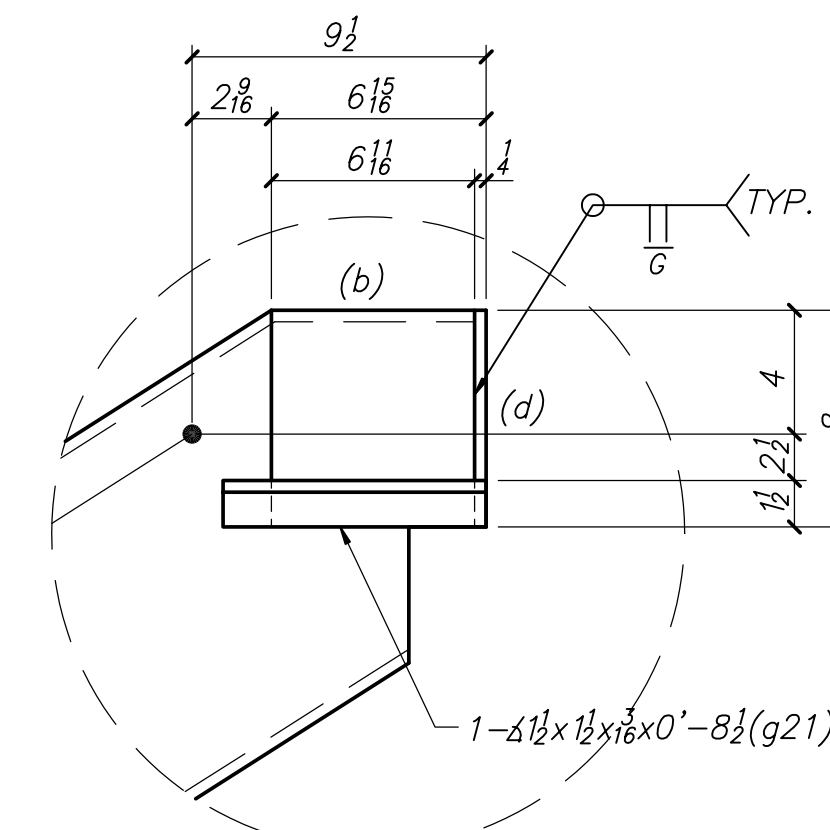


SECTION A-A

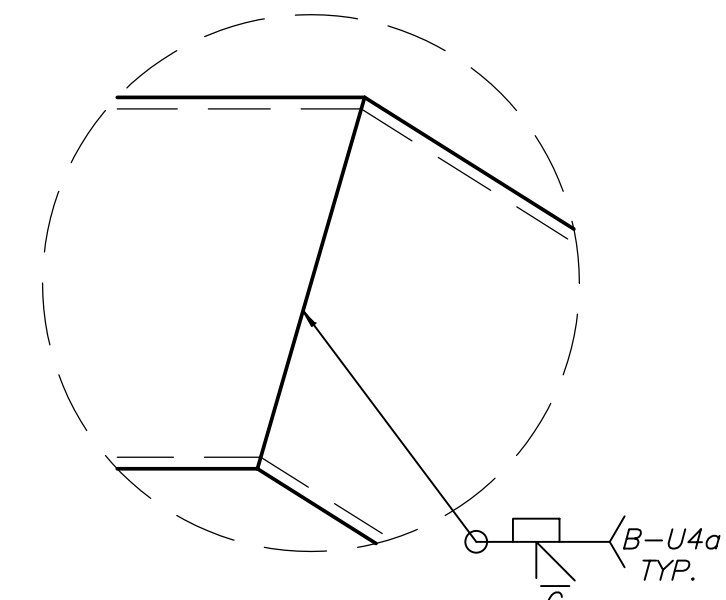


3-STRINGERS-22S1

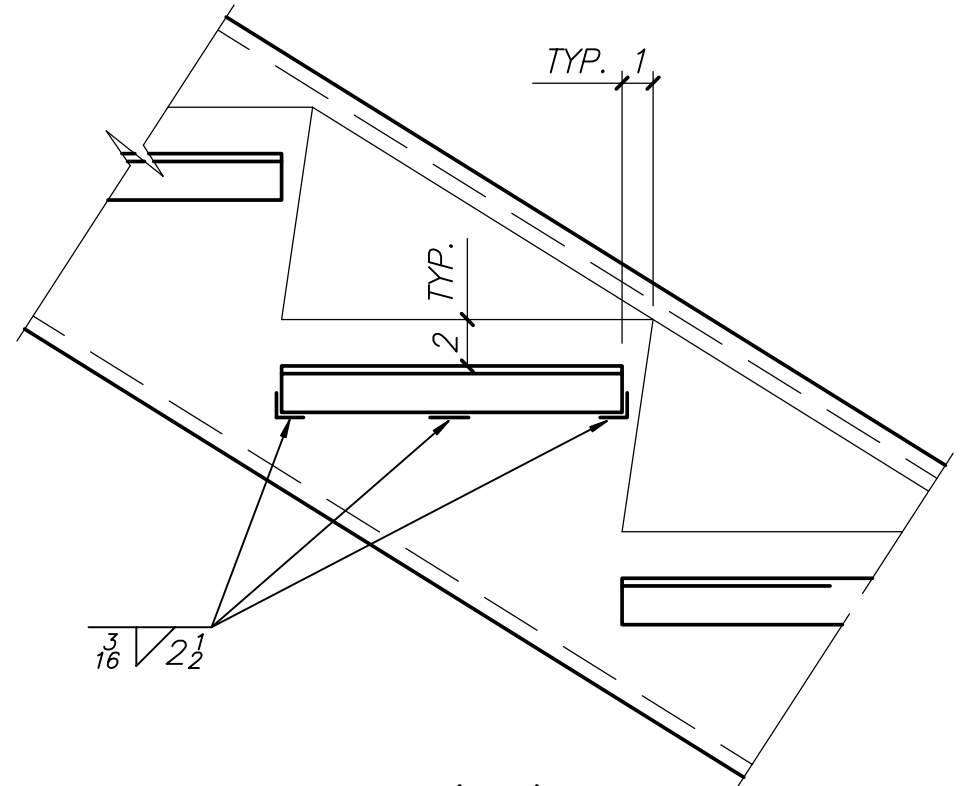
3-WEDGE ANCHOR 3/4x4 1/2" LG. - 21WA1



DETAIL '1'



HSS STRINGER WELD DETAIL



TYP. CARRIER 4(f21) DETAIL

BILL OF MATERIAL						
QUAN	MARK	FAB MARK	DESCRIPTION	LENGTH		WEIGHT/NOTES
				FT.	IN.	
3	22S1		STRINGERS			
3		o22	HSS12x3x3/8	21	10 1/2	
3		b22	HSS12x3x3/8	0	6 1/8	
3		d22	BAR3x1/2	0	8	
3		g21	63x3x1/2	0	8 1/2	
3		e21	63x3x3/8	0	3	
3		f22	BAR3x1/2	0	4	
57		f21	63x3x1/2	0	10	
2	22H1		HEADERS			
2		g22	C8x11.5	12	8 3/8	
2		h22	C8x11.5	6	10 3/8	
2		k22	HSS8x4x3/8	0	5 3/8	
2		m22	TS 1/2x1x11GA.	11	8 3/8	
4		w21	63x3x1/2	0	5 1/2	
44	22P1		BT.#12GA.x21 ¹ / ₈	5	4 1/2	(SQ.2.E.)
2	22P2		BT.#12GA.x8 ¹ / ₈	5	4 1/2	(SQ.2.E.)
2	22P3		BT.#12GA.x32 ³ / ₈	5	4 1/2	(SQ.2.E.)
2	22P4		BT.#12GA.x3 ³ / ₈	5	4 1/2	(SQ.2.E.)
2	22CL1		BT.#12GA.x7 ¹ / ₈	5	4 1/2	(SQ.2.E.)
FIELD BOLT LIST						
(EXACT COUNT THIS DWG.)						
11	21WA1		WEDGE ANCHOR 3/4x4 1/2	-	4 3/4	
8	21FB1		A325 3/4x2 1/2	-	1 1/2	W/N&W

	REVISIONS RELEASED FOR FAB MTF 10/01/09	HOLES 1/8" U.N. EDGE DISTANCE AS NOTED WELD ROD E70XX STEEL A36 U.N.	PREP SSPC SP2 PAINT 1-S/C STD. PRIMER DFT 2.0 MILS NO PAINT WITHIN OF HOLES	DRAWN BY AMB DATE 04/29/09 CHECKED BY PGP DATE 09/30/09	CRAWFORD WOODS ELEM. SCHOOL HAMILTON, OHIO STAIR C117 & D120 DETAILS	ARCHITECT STEED HAMMOND PAUL ENGINEER GOP LIMITED CONTRACTOR FERGUSON CONSTRUCTION	Mound Technologies Inc. 25 Mound Park Drive, Springboro, Ohio 45066 ph_(937).748.2937 fax_(937).748.9763	JOB ORDER NO. M5593 DRAWING NO. REV. 22 A
--	---	---	--	--	--	---	--	--