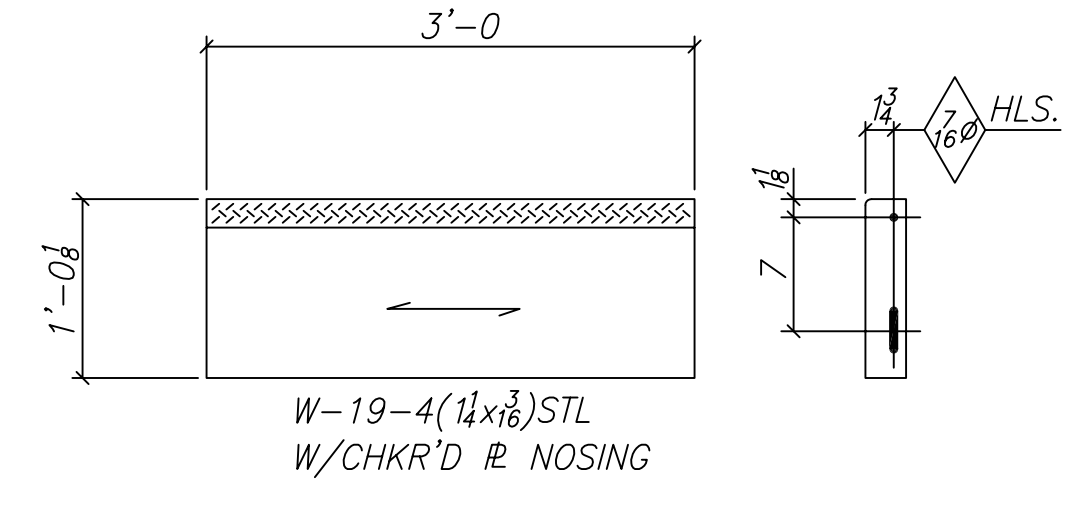
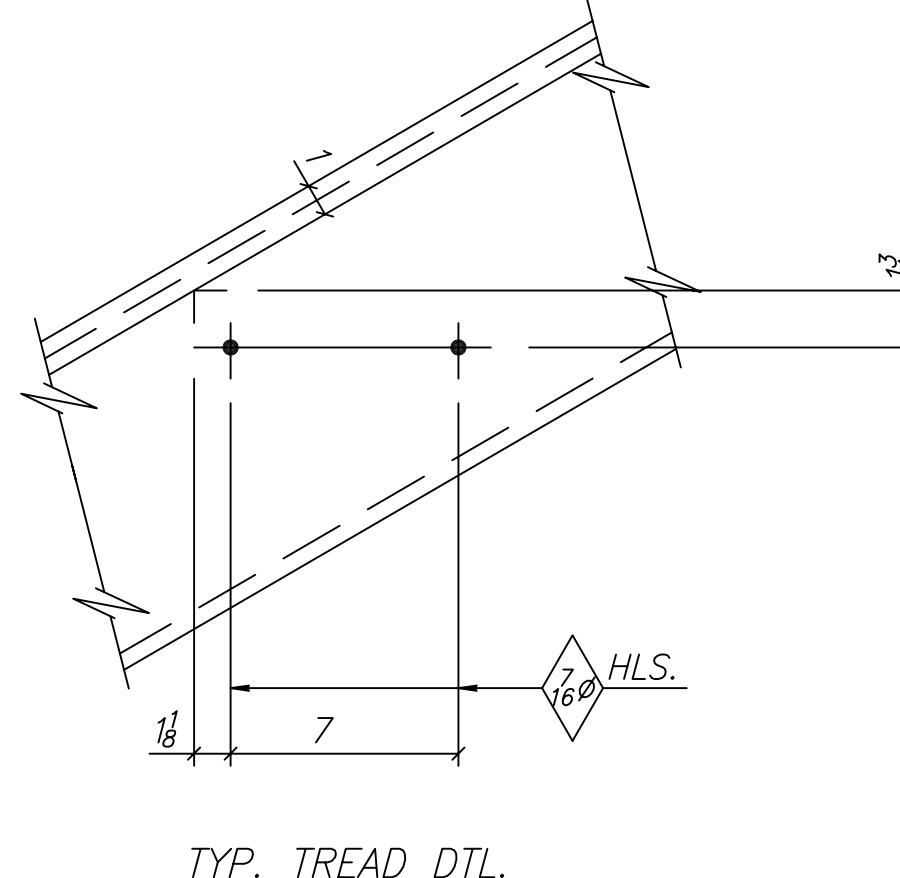
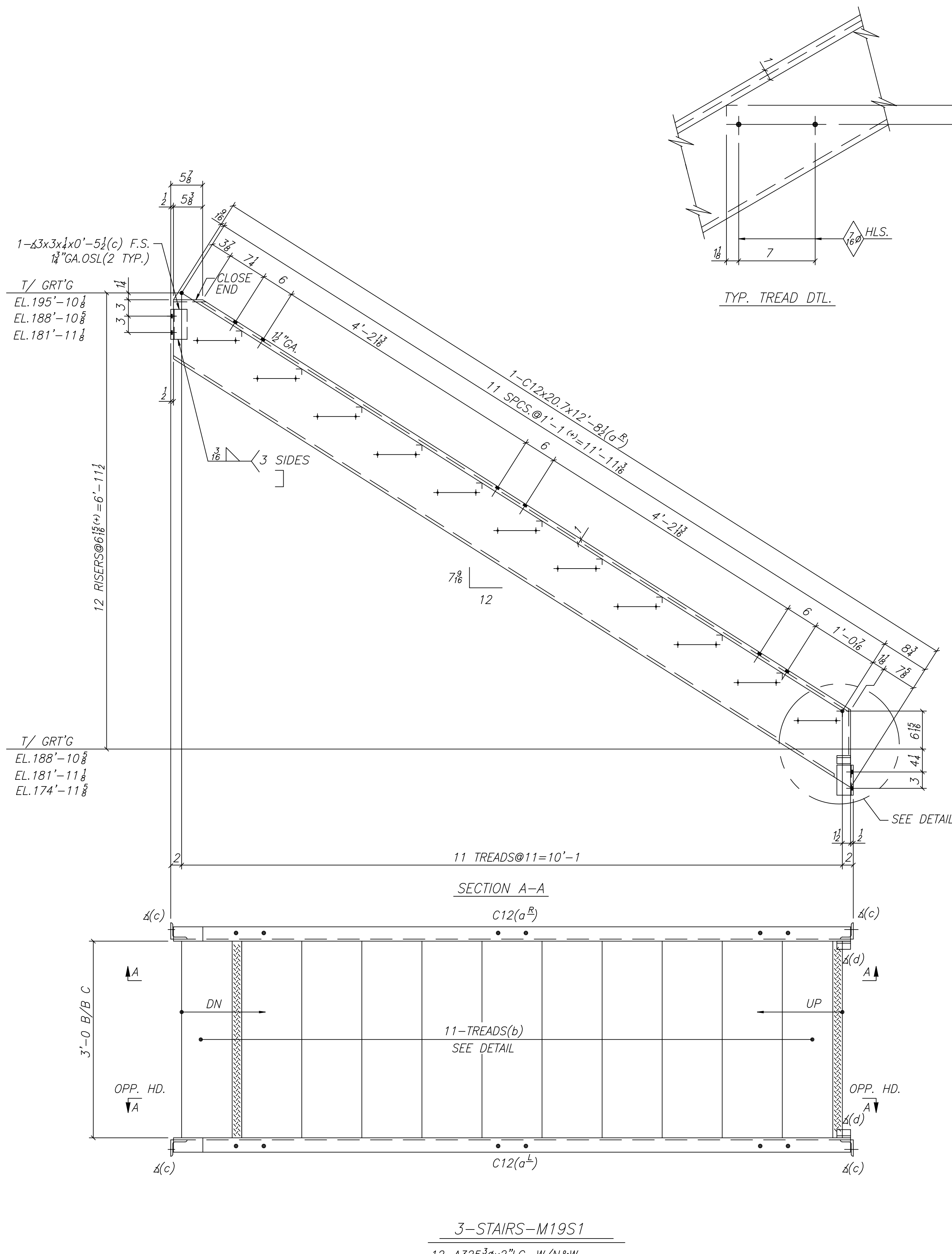
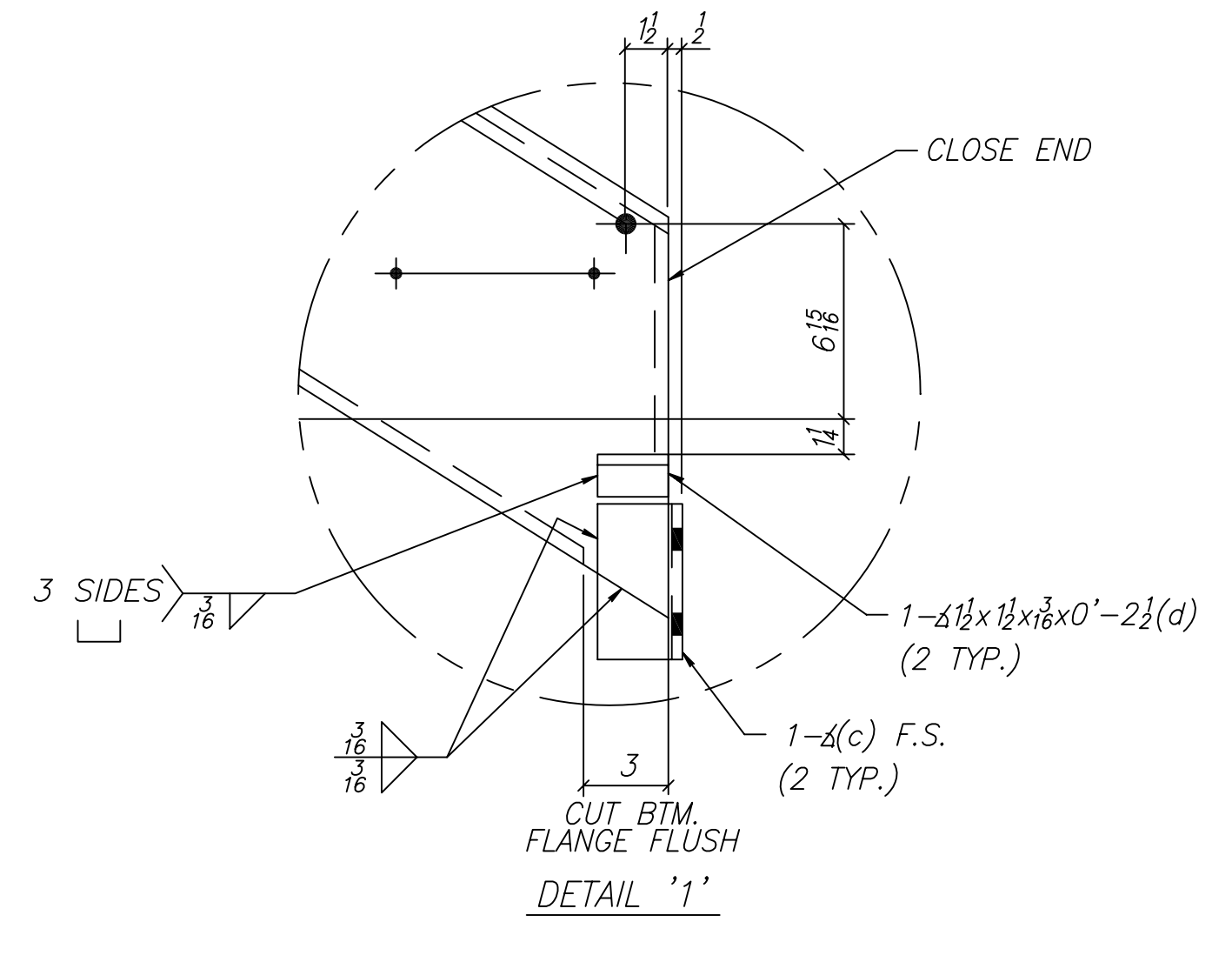


LINE	SEQ. NO.	QTY.	MARK	DESCRIPTION	LENGTH		REMARKS	ORDERED		WEIGHT
					FT.	IN.		PAGE	LINE	
1		3	M19S1	STAIRS						
2		6	a ^B / ₂	C12x20.7	12	8 ¹ / ₂	3 ^B -3 ^L			
3		33	b	GRT'G TR'D (1 ¹ / ₂ x1 ¹ / ₈) x12 ¹ / ₂ WIDE	3	0	19-W-4			
4										
5		12	c	1 ¹ / ₂ x1 ¹ / ₈ x12	0	5 ¹ / ₂				
6		6	d	1 ¹ / ₂ x1 ¹ / ₈ x12	0	2 ¹ / ₂				
7		132	ma	M.B. 3/8"						
8		132	mb	LOCKWASHER 3/8"						
9										
10				FIELD BOLT LIST						
11				(EXACT COUNT THIS DWG.)						
12										
13		12		A325 3/8"	0	2				
14										
15										



TREAD(b) DETAIL
132 - M.B. 3/8" x 1 1/2" L.G. (ma)
132 - LOCKWASHERS 3/8" (mb)



SHOP NOTE:
SHOP ASSEMBLE ALL STAIRS
W/M.B. 3/8" x 1 1/2" (ma) &
LOCK WASHER 3/8" (mb)

MATERIAL A36

BOLTS 3/8" U.N

OPEN HOLES 1/8" U.N

WELDING E70XX

SURF. PREP. SSPC SP-3

PAINT PRIMER: 1 S/C SHERWIN WILLIAMS B5GAV11
2-3 MILS D.F.T.

FINISH: SHERWIN WILLIAMS INDUSTRIAL ENAMEL
B54 SERIES, 3-5 MILS D.F.T.

STRINGER COLOR: BRILLIANT WHITE

SEQ 17B

REF. DWG.: ME8 THRU ME11

TECH DYNAMICS INC. FABRICATION TOLEDO OHIO						DEPT. APPROVED		ENGINEERING DRAWING COMPUTER INPUT					
								OPER.			DRAWING NUMBER		
								DATE			SEARCH ARGUMENT		
								MECH.			1 ALPHA 4 5		
								DATE			NUMERIC 12 13 14 15 16 17 18		
								ELECT.			DIST. 19 20 21 22 23 24		
JOB NO. 06-070		SHEET NO. M19									DEPT. 25		
											ITEM 26 27		
											DOC. TYPE 28 29		
											DRAWING TITLE		
											NO. 30 31 32 33 34		
											STAIR DETAILS		
											THIS DRAWING IS LOANED WITH THE EXPRESS AGREEMENT THAT THE DRAWING AND INFORMATION CONTAINED ARE THE PROPERTY OF ISG-CLEVELAND, INC. AND WILL NOT BE REPRODUCED, COPIED OR OTHERWISE DISPOSED OF DIRECTLY OR INDIRECTLY, AND WILL NOT BE USED IN WHOLE OR IN PART TO ASSIST IN MAKING OR TO FURNISH ANY INFORMATION FOR THE MAKING OF DRAWINGS, PRINTS OR OTHER REPRODUCTIONS HEREOF, OR FOR THE MAKING OF APPARATUS OR PARTS THEREOF, EXCEPT UPON WRITTEN PERMISSION OF ISG-CLEVELAND, INC. FIRST OBTAINED AND SPECIFIC AS TO EACH CASE. THE ACCEPTANCE OF THIS DRAWING WILL BE CONSTRUED AS AN ACCEPTANCE OF THE		
											DRAWN JMS DATE 11/13/06 DRAWING NUMBER		
											CHECKED LKN DATE 1/22/07 SCALE 1/1		
											APPROVED DATE PROJ. ISC0614		
											338614		
											1		
											1		