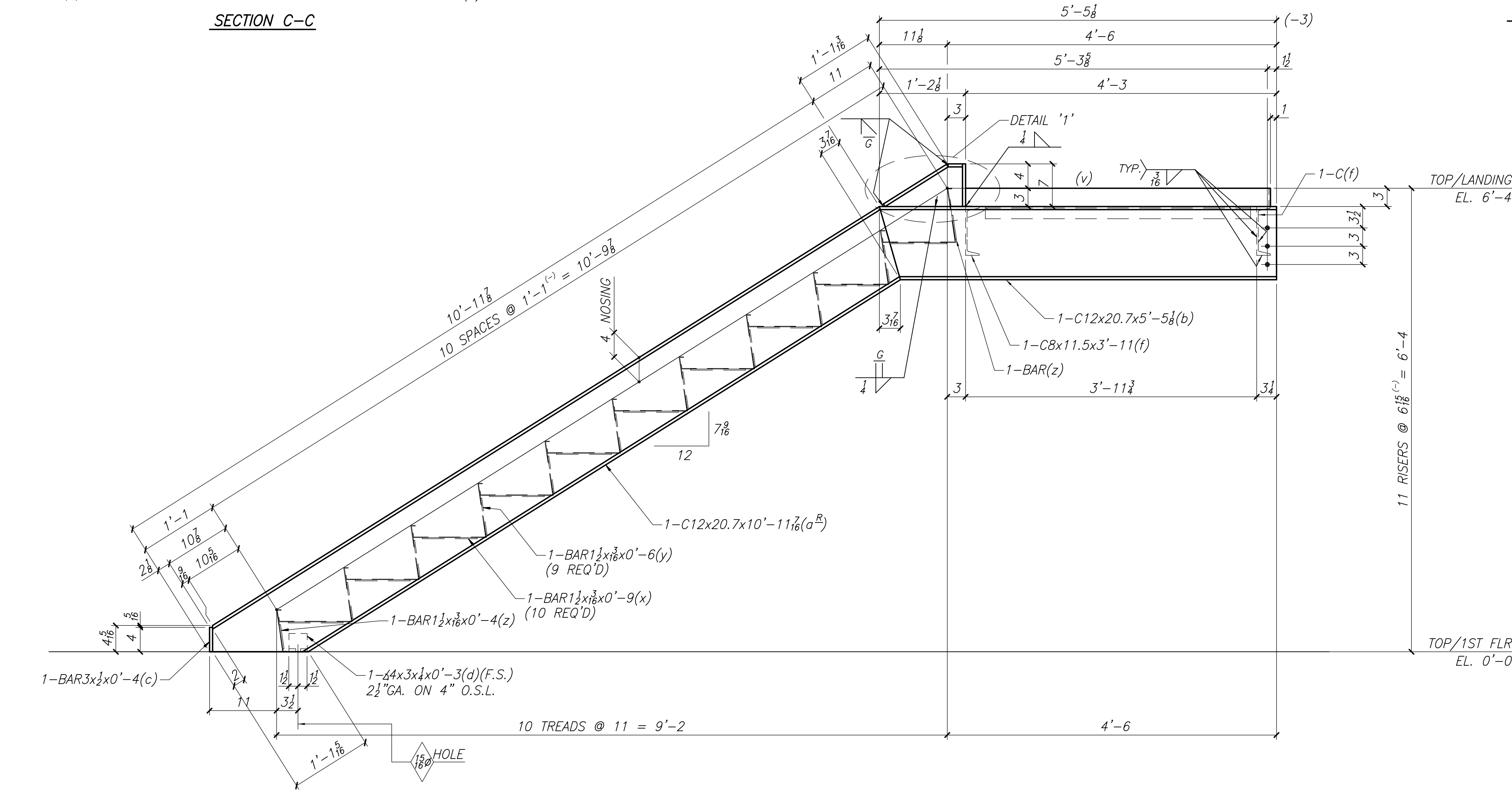
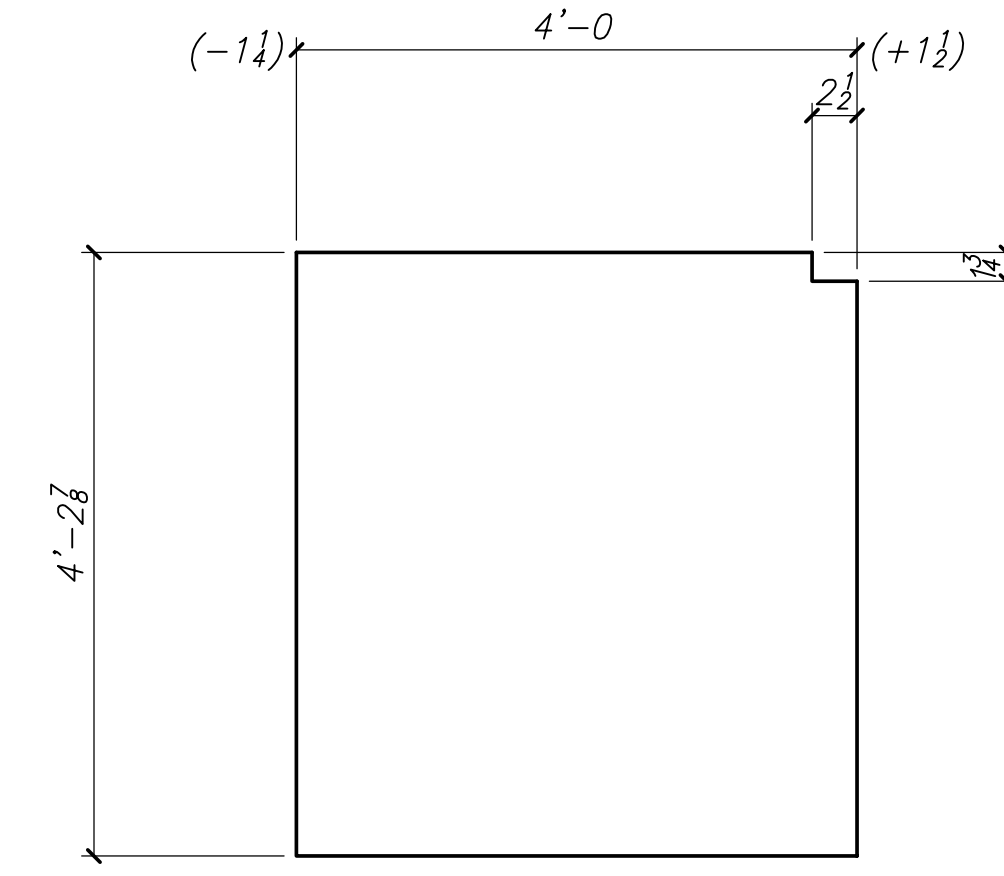
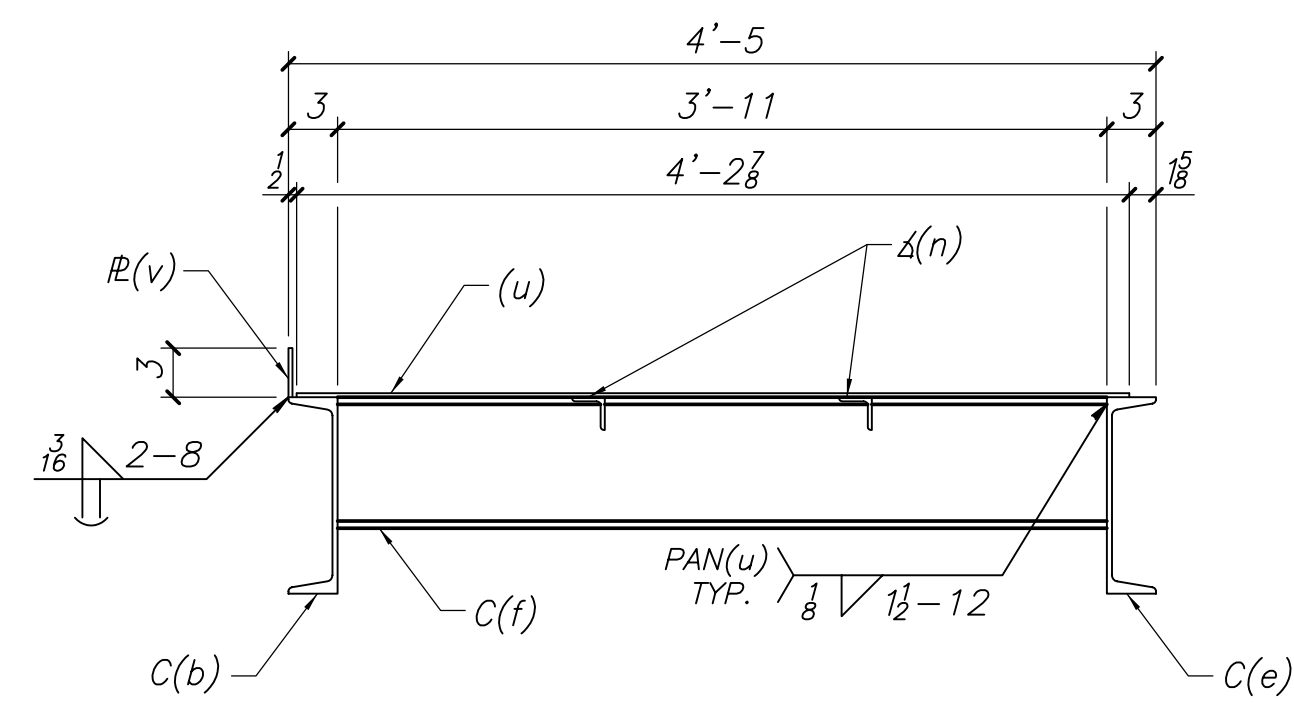


2-FLIGHTS-5F1
 4-KWIK BOLT II 3/8"x6" L.G.

STAIR C	STAIR E
1	1



SECTION A-A

BILL OF MATERIAL		ALL CATEGORY NO. U/N		MATERIAL SPEC. A36 U.N.		CONTRACT NO. 07-209		DRAWING NO. 5			
NO. OF PCS	MARK	SIZE	SHAPE	WT. LB/FT. MASS KG/M	LENGTH FT. IN. MM	WT. LB MASS KG	ADV. BILL ITEM NO.	CATEGORY	SEQ. QTY/SEQ	REMARKS	REV.
2	5F1	-									
4	a ^{1/2}	C12x20.7	C		10 11 7/8					2 ⁸ , 2 ¹	
2	b	C12x20.7	C		5 5 3/8						
4	c	BAR 3x3/4	-		0 4						
4	d	3x3x1/4	Δ		0 3						
2	e	C12x20.7	C		5 7 1/2						
4	f	C8x11.5	C		3 11						
2	g	PL 3/8x6 3/8	PL		1 0 1 3/8						
2	h	PL 3/8x3	PL		0 6 3/8						
4	k	PL 3/8x3	PL		1 0 1/2						
2	m	PL 3/8x2 7/8	PL		0 3						
4	n	2x2x1/4	Δ		3 8 1/2						
20	r	14 GA. x22 1/2	-		3 11						
2	s	14 GA. x8	-		3 11						
2	t	14 GA. x4 1/2	-		3 11						
2	u	12 GA. x48	-		4 2 7/8						
2	v	PL 1/2x3	-		4 2						
2	w	PL 1/2x3	-		4 1 3/4						
40	x	BAR 1 1/2x1 3/8	-		0 9						
36	y	BAR 1 1/2x1 3/8	-		0 6						
8	z	BAR 1 1/2x1 3/8	-		0 4						
2	aa	BAR 3/8x6 3/8	-		0 10 3/8						
FIELD BOLTS											
4		KWIK BOLT II 3/8"			0 6						

OPEN HOLES 1/8" U.N.
 WELDING E70XX
 SURF. PREP. SSPC-SP3
 REF. DWG. E5

11/07/07	REVISED AS NOTED				
Rev#	Date	Description	CN#	By	MTF
REVISIONS					

INDIANA BRIDGE-MIDWEST STEEL, INC.

1810 S. Macedonia
 Muncie, IN 47302
 (765) 288-1985 phone
 (765) 287-1985 fax

2525 East Grand Blvd.
 Detroit, MI 48211
 (313) 873-2220 phone
 (313) 873-2222 fax

CUSTOMER	GETRAG	JOB NO.	07-209
BUILDING	GETRAG TEQUILA TRANSMISSION PLANT	DATE	10/25/07
LOCATION	TIPTON, INDIANA	DR.	AMC
ARCHITECT	HARLEY ELLIS DEVEREAUX	DATE	10/21/07
DETAILS OF	STAIR FRAME - STAIRS C & E	DRAWING NO.	5

FINISH 1-s/c SHERWIN WILLIAMS KEM KROMIK UNIVERSAL METAL PRIMER B50WZ1(WHITE)
 CHECKED BY TAC
 REMARKS -

NOTE: WORK WITH DRAWING 6