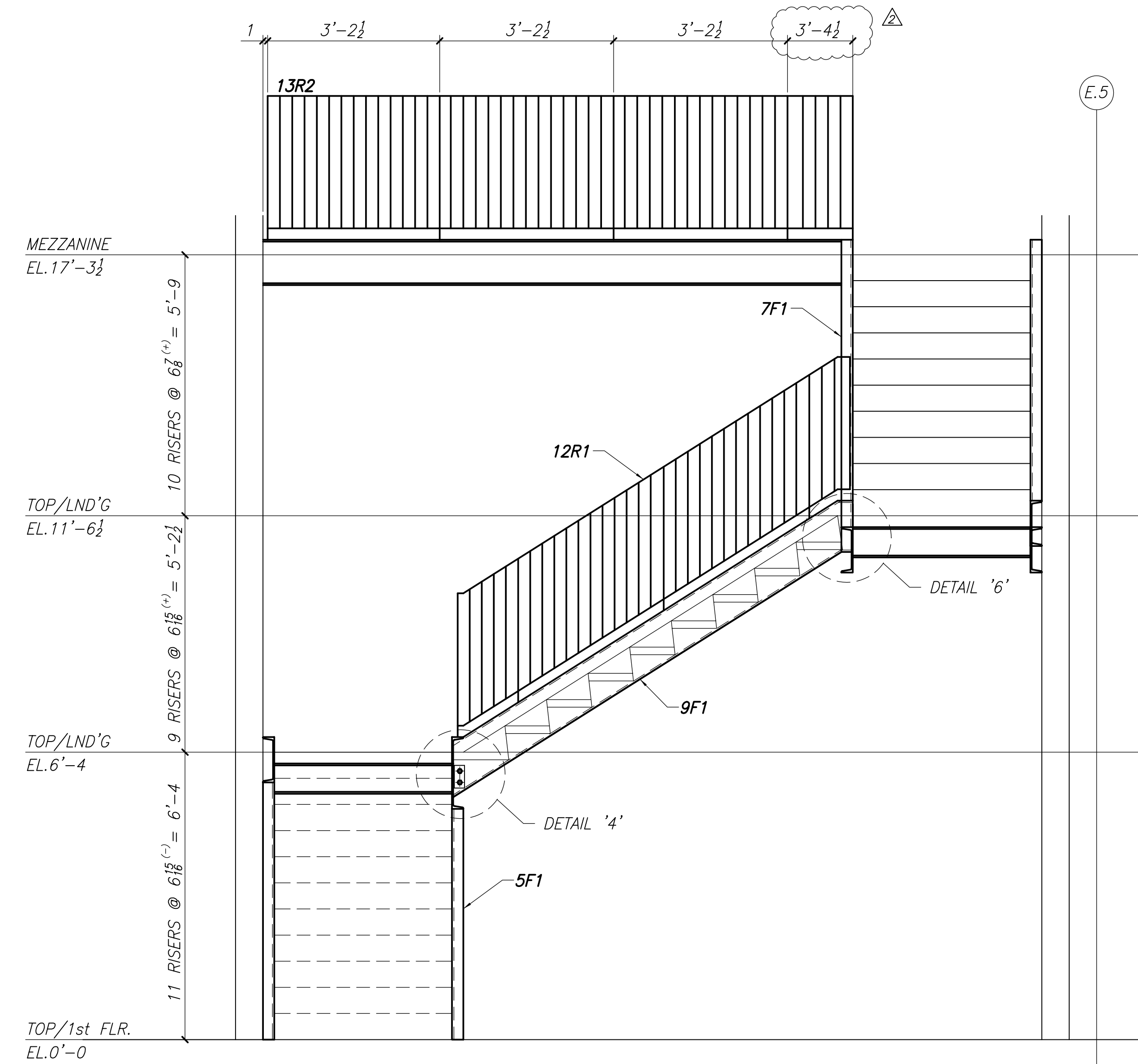
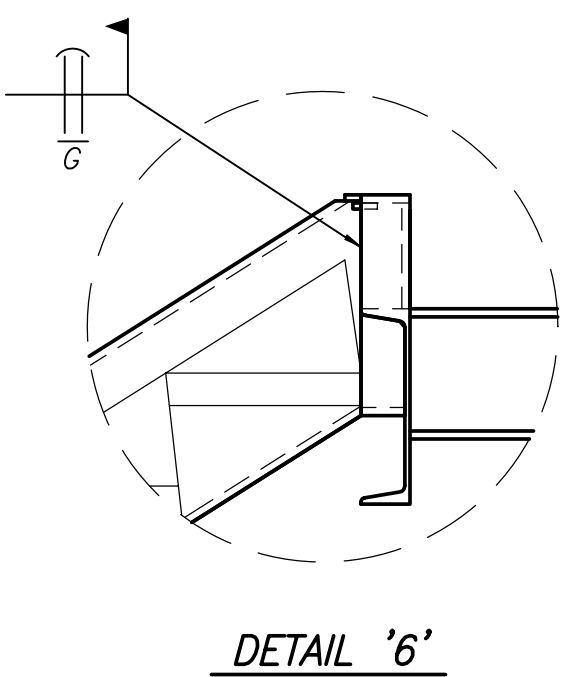
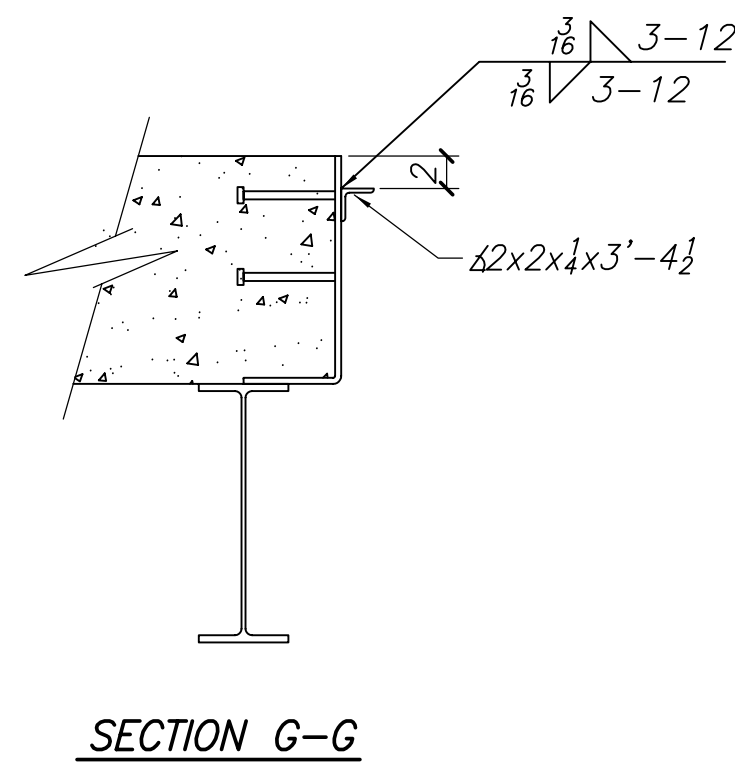
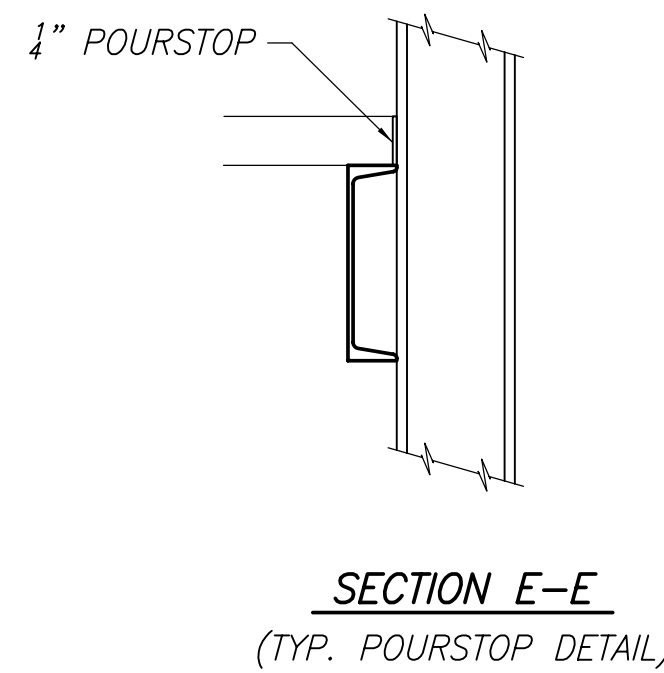
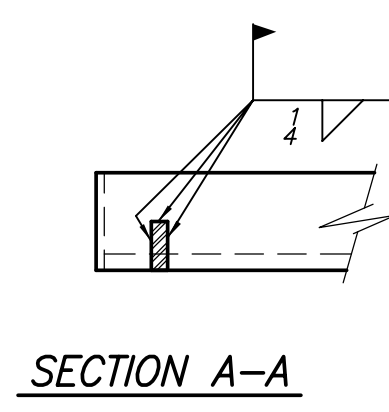
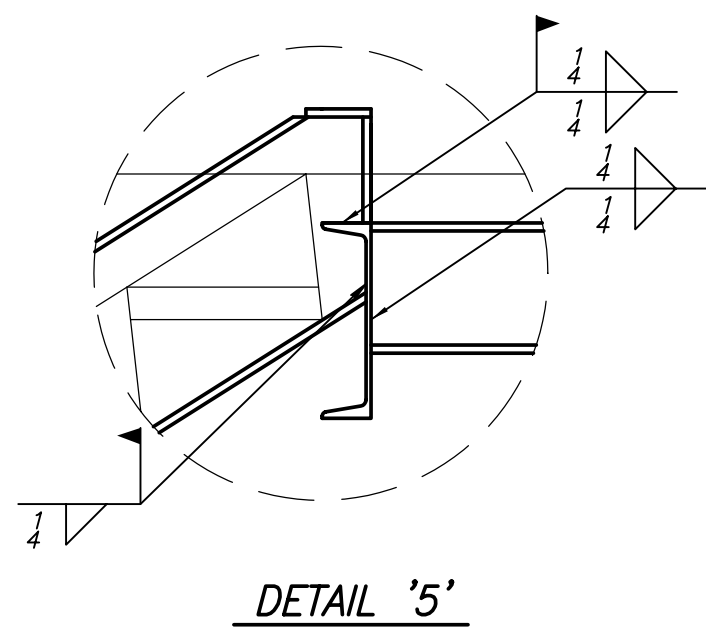
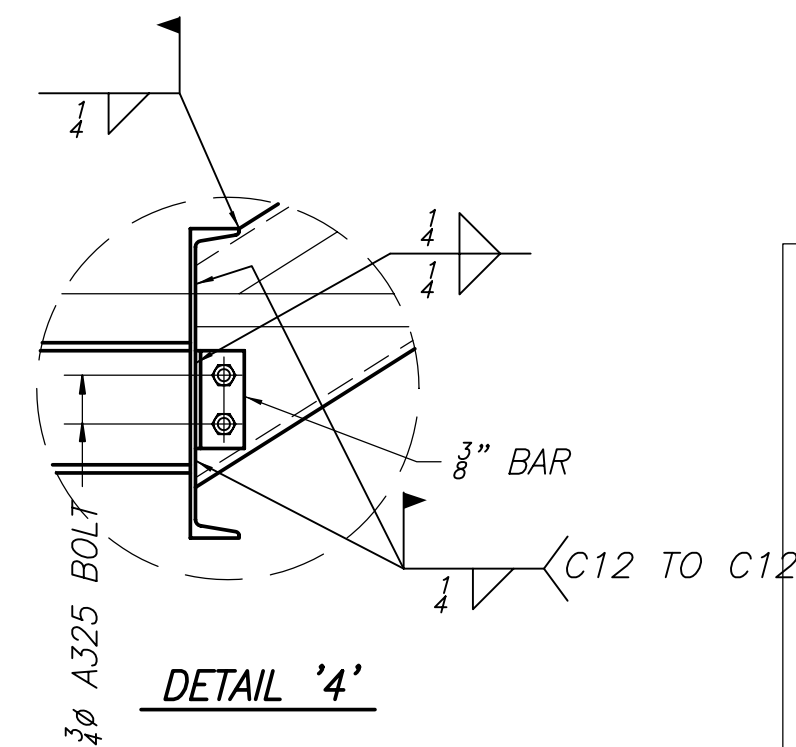
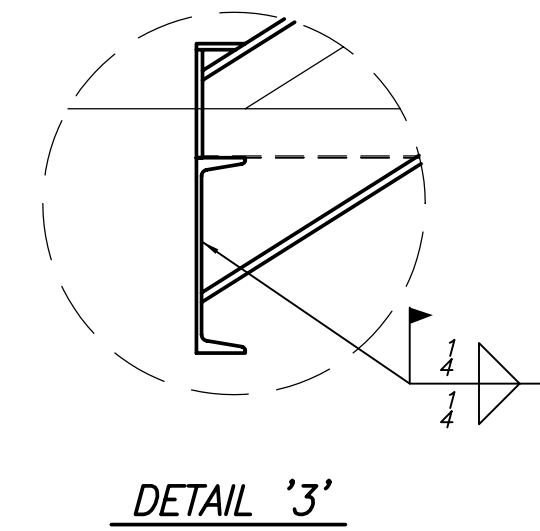
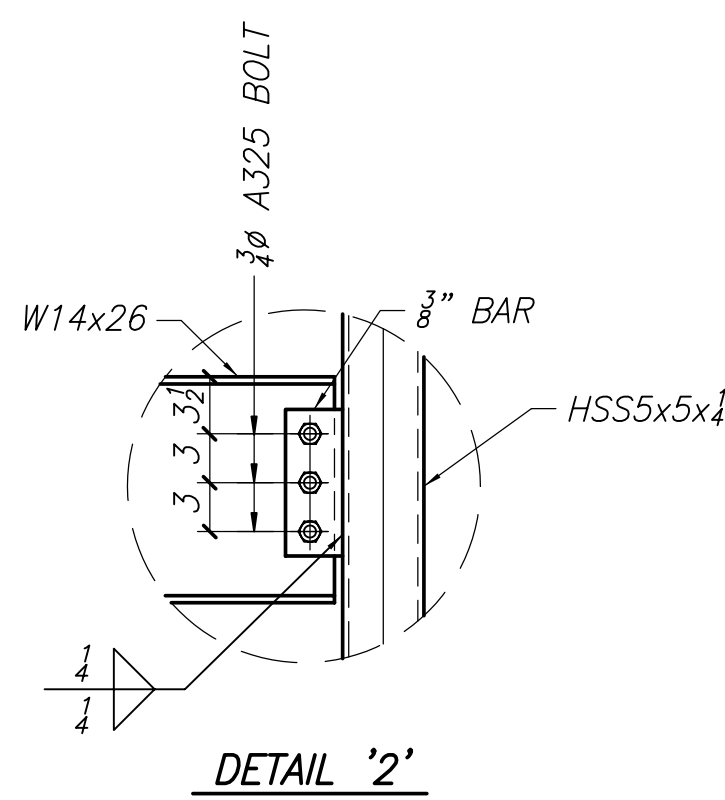
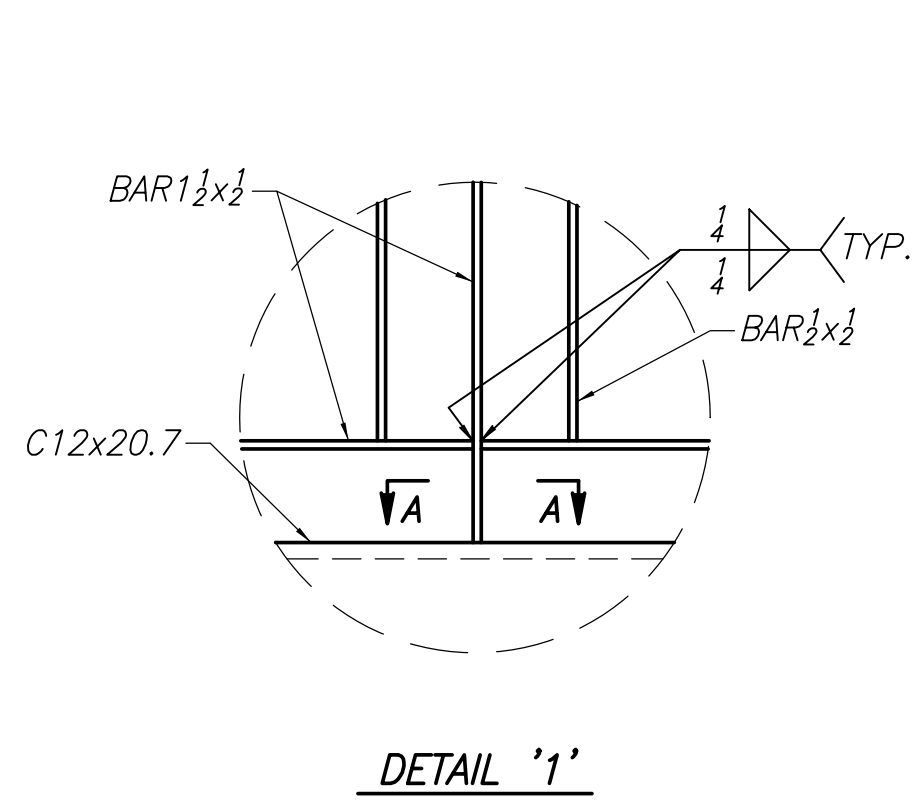


**SECTION C-C**  
(HSS POSTS NOT SHOWN FOR CLARITY)



**SECTION D-D**



**Submittal**  
HARLEY ELLIS DEVEREAUX

Review of shop drawings, product data and/ or samples is for conformance with the design concept and with the information given in the Contract Documents. This review does not relieve the Contractor of responsibility for any deviation from the Contract Documents. Refer to the Contract Documents relative to submittals for clarification of Contractor responsibility.

Discipline	Reviewer	Date	Remarks
Architectural / Design			
Structural			
Civil / Site			
Mechanical			
Electrical			
Interiors			

SELECTION  
Final Action for Contractor:  
By: \_\_\_\_\_ Date: \_\_\_\_\_

Approved (APP) Work May Proceed  
 Approved as Noted (AN) - Proceed on Basis of Revised Information Noted  
 Submittal Not Requested (SNR)

Not Approved (NA) Work Shall Not Proceed Based on Information Submitted. Resubmit.  
 Provide as Specified (PAS) Work Shall Not Proceed Based on Non-Specified Information Submitted. Resubmit.

Project No. • 70275 Item No. •

REF. DWG. 2GAA03D0000020, 2GAA03Z0040020

Rev#	Date	Description	By
11/14/07		REVISED AS NOTED	MPB
10/31/07		REVISED PER APPROVAL & CHECKING	AMC

**INDIANA BRIDGE-MIDWEST STEEL, INC.**

1810 S. Macedonia  
Muncie, IN 47302  
(765) 288-1985 phone  
(765) 287-1985 fax

2525 East Grand Blvd.  
Detroit, MI 48211  
(313) 873-2220 phone  
(313) 873-2222 fax

CUSTOMER	GETRAG
BUILDING	GETRAG TEQUILA TRANSMISSION PLANT
LOCATION	TIPTON, INDIANA
ARCHITECT	HARLEY ELLIS DEVEREAUX
DETAILS OF	STAIR SECTIONS - STAIRS C & E

FINISH	-	DATE	10/31/07	JOB NO.	07-209
CHECKED BY	TAC	DR.	AMC	DRAWING NO.	E7
REMARKS	-	DATE	10/08/07		