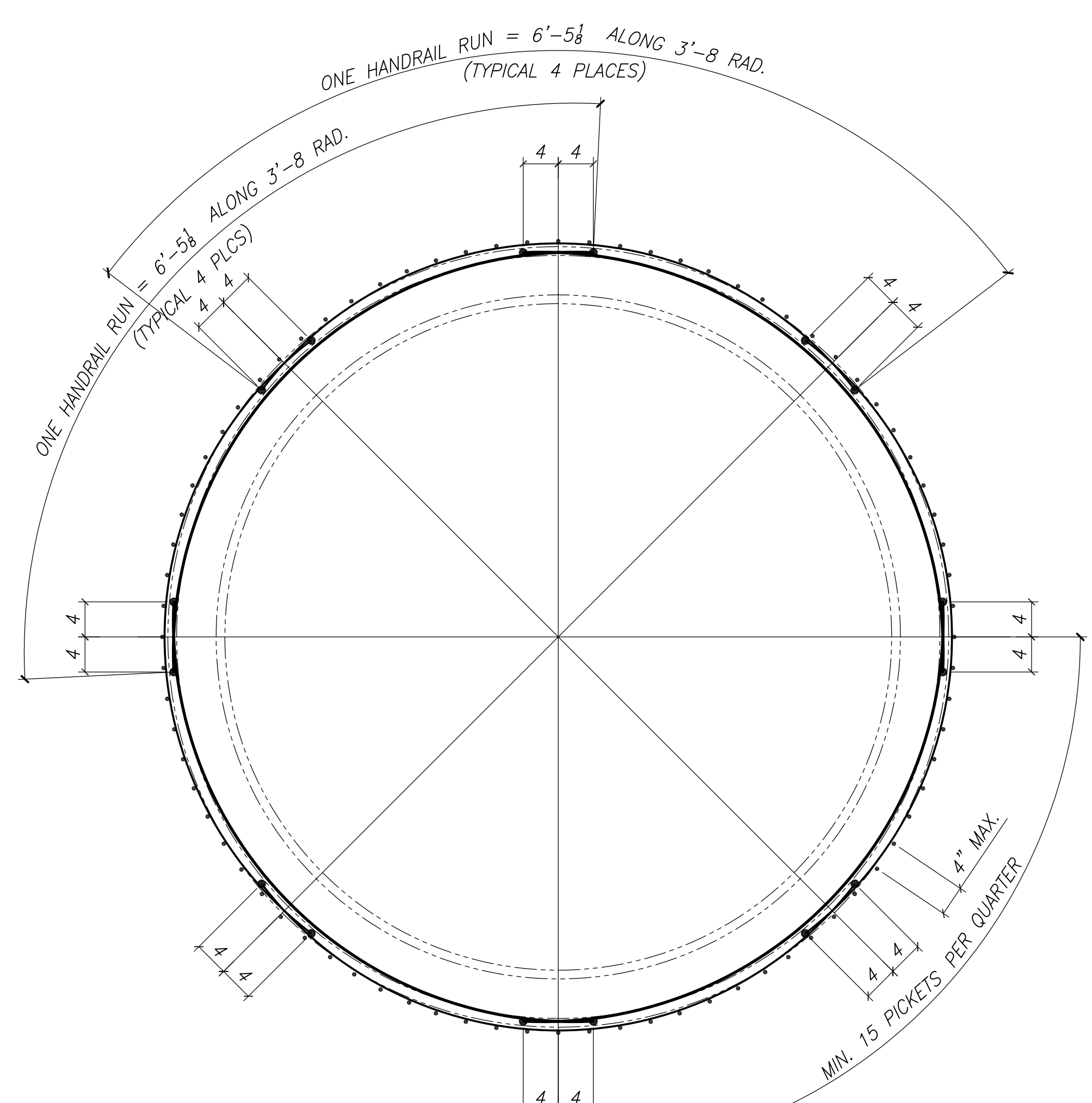
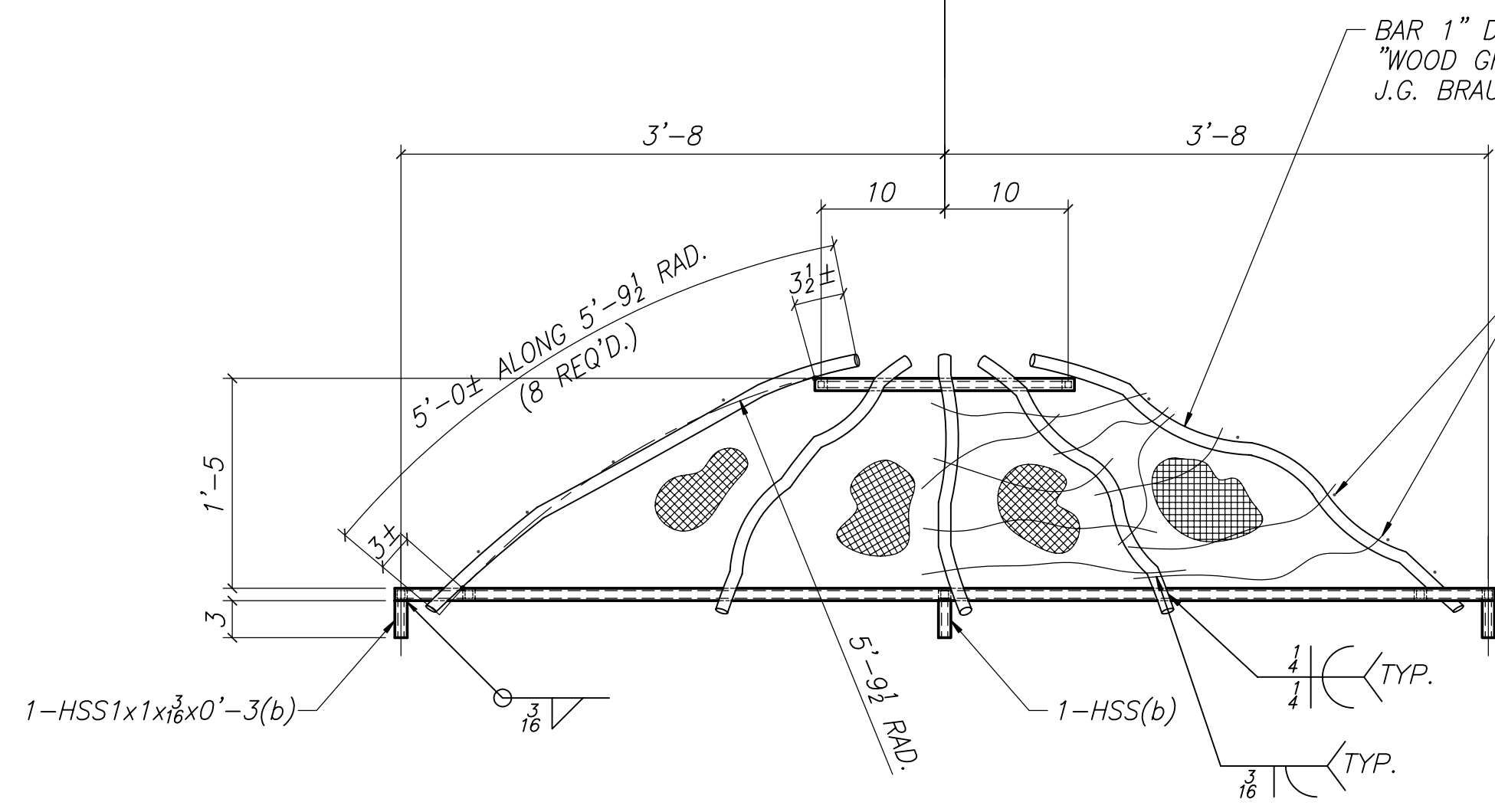


BAR 1/8" DIA.
"WOOD GRAIN"
J.G. BRAUN - #WG845
TYPICAL ALL AROUND



BAR 1" DIA. x 58 LIN.FT.
"WOOD GRAIN" GUARDRAIL
J.G. BRAUN - #WG849

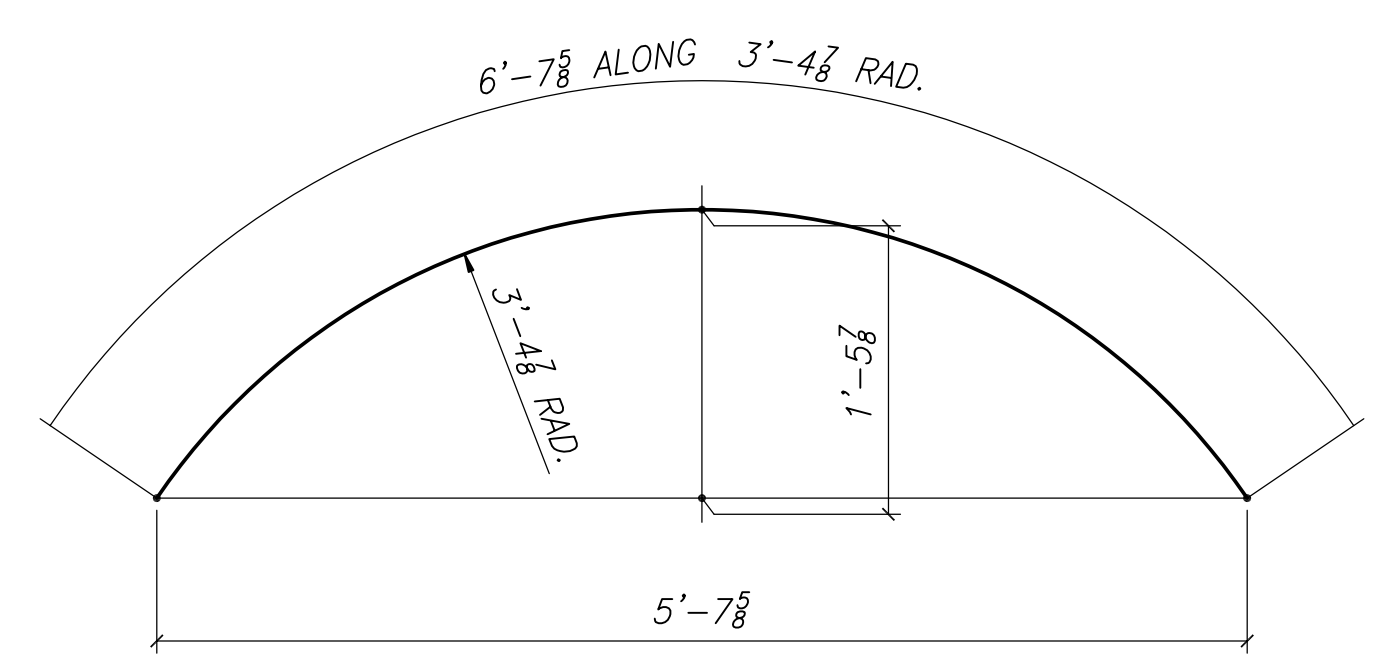
BAR 3/8" DIA. x 65 LIN.FT.
"WOOD GRAIN" PICKETS
J.G. BRAUN - #WG846



ONE-FIRE PIT SCREEN-M103M1

FIRE PIT SCREEN-M103M1

ONE-GUARDRAIL-M103GR1



DETAIL OF CURVE FOR HANDRAIL
SHOWN AT 1/4 OF BAR
INCLUDE EXTRA LENGTH FOR BENDS / KINKS

LINE NO.	SEQ. NO.	QTY.	MARK	DESCRIPTION	LENGTH		REMARKS	ORDERED		WEIGHT
					FT.	IN.		PAGE	LINE	
1		ONE	M103M1	FIRE PIT SCREEN						
2	L.F.			BAR 1" DIA.	35	0	"WOOD GRAIN" - J.G. BRAUN			#WG849
3	L.F.			BAR 3/8" DIA.	90	0	"WOOD GRAIN" - J.G. BRAUN			#WG845
4	L.F.			HSS1x1x1/4	57	0	<A500-GR.B>			
5		8	a	<S.S.> WIRE MESH PANEL						
6				1/2" x .045 DIA.						
7				30" WIDE x	3	6				
8		4	b	HSS1x1x1/8	0	3	<A500-GR.B>			
9										
10		ONE	M103GR1	GUARDRAIL						
11	L.F.			BAR 1" DIA.	58	0	"WOOD GRAIN" - J.G. BRAUN			#WG849
12	L.F.			BAR 3/8" DIA.	65	0	"WOOD GRAIN" - J.G. BRAUN			#WG846
13										
14										
15										
16										
17										
18										
19										
20										
21										
22										
23										
24										
25										
26										
27										
28										
29										
30										
31										
32										
33										
34										
35										
36										
37										
38										
39										
40										
41										
42										
43										
44										
45										
46										
47										
48										
49										
50										
51										
52										
53										
54										
55										

SHOP NOTES

- ALL "WOOD GRAIN" BAR IS TO BE BENT / KINKED TO HAVE APPEARANCE OF REAL WOOD.
- GUARDRAIL IS TO BE OF CONTINUOUS WELDED CONSTRUCTION AND FREE OF ALL BURRS & SHARP CORNERS.

REFERENCE ERECTION DWG(S): ME105 ITEM #: HS-5

REV	DATE	DESCRIPTION
A	04/16/07	REVISED PER APP'L & CHK'G

HOLES		DRAWN BY	DATE	NO.	ISSUED
1/8"		PGP	10/10/06		
WELD		E70XX	CHK'D BY	CDI	
STEEL		A36 U.N.	DATE	04/09/07	
PAINT		1-S/C S.W. B50NV12 RED OXIDE PRIMER	CONTRACTOR	THE LATHROP COMPANY	
ARCH.		KA INC.	LOCATION	MAUMEE, OHIO	
ENGR.		THORSON BAKER & ASSOC.	PROJECT	THE SHOPS AT FALLEN TIMBERS	
JOB NO.		06-083	SHEET NO.		M103