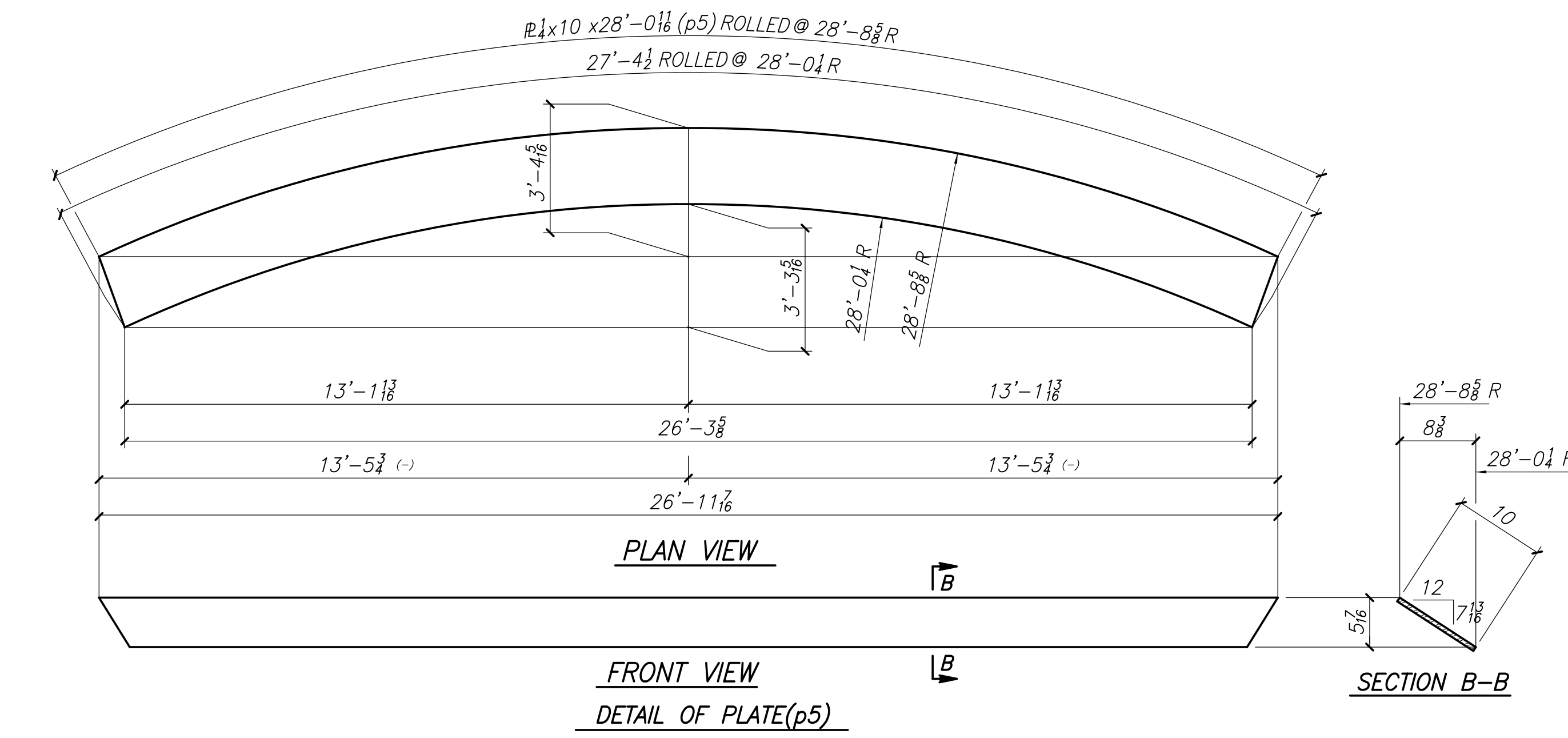


PLAN VIEW

FRONT VIEW

DETAIL OF BAR(b864)

SECTION A-A

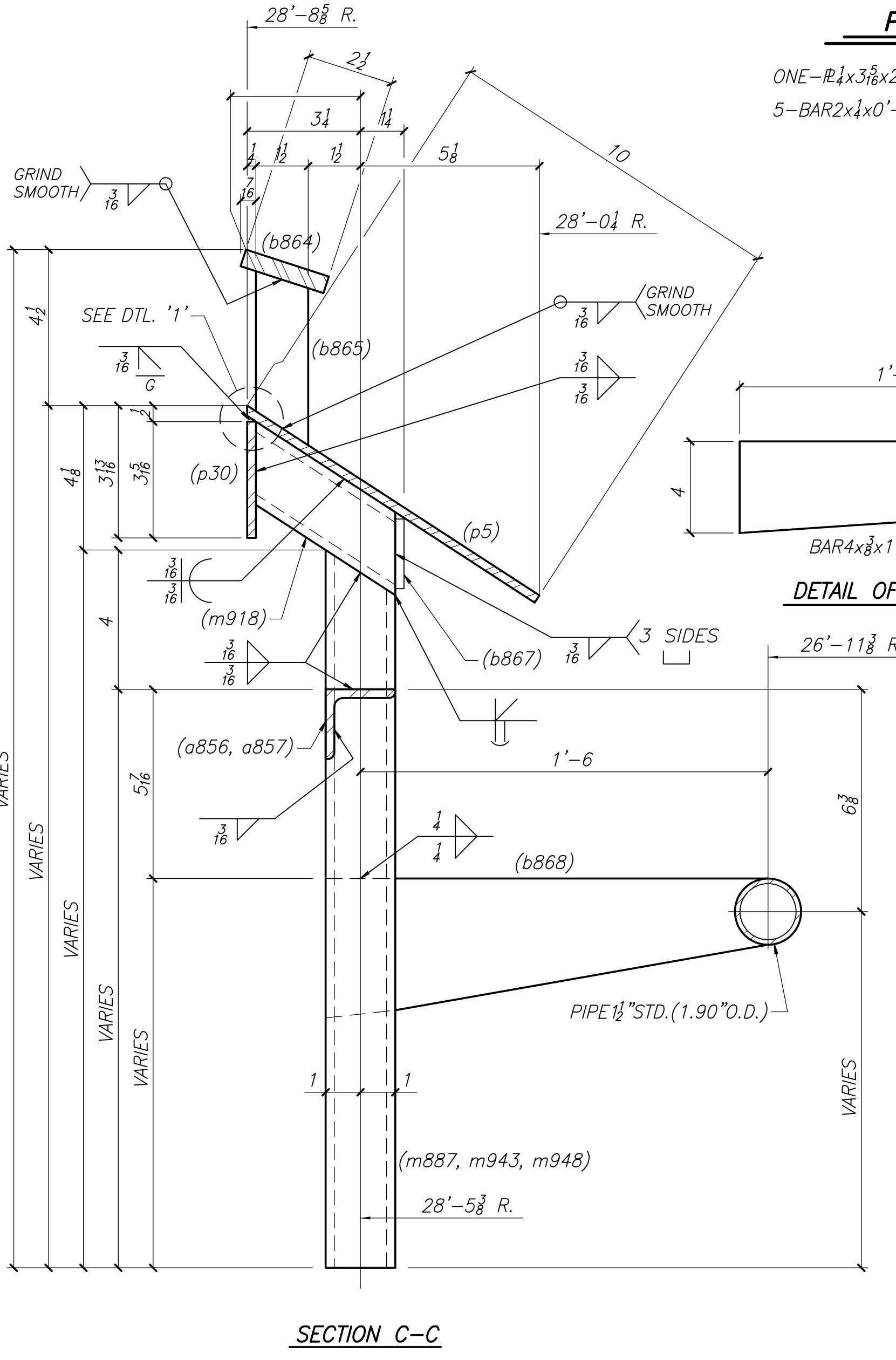


PLAN VIEW

FRONT VIEW

DETAIL OF PLATE(p5)

SECTION B-B



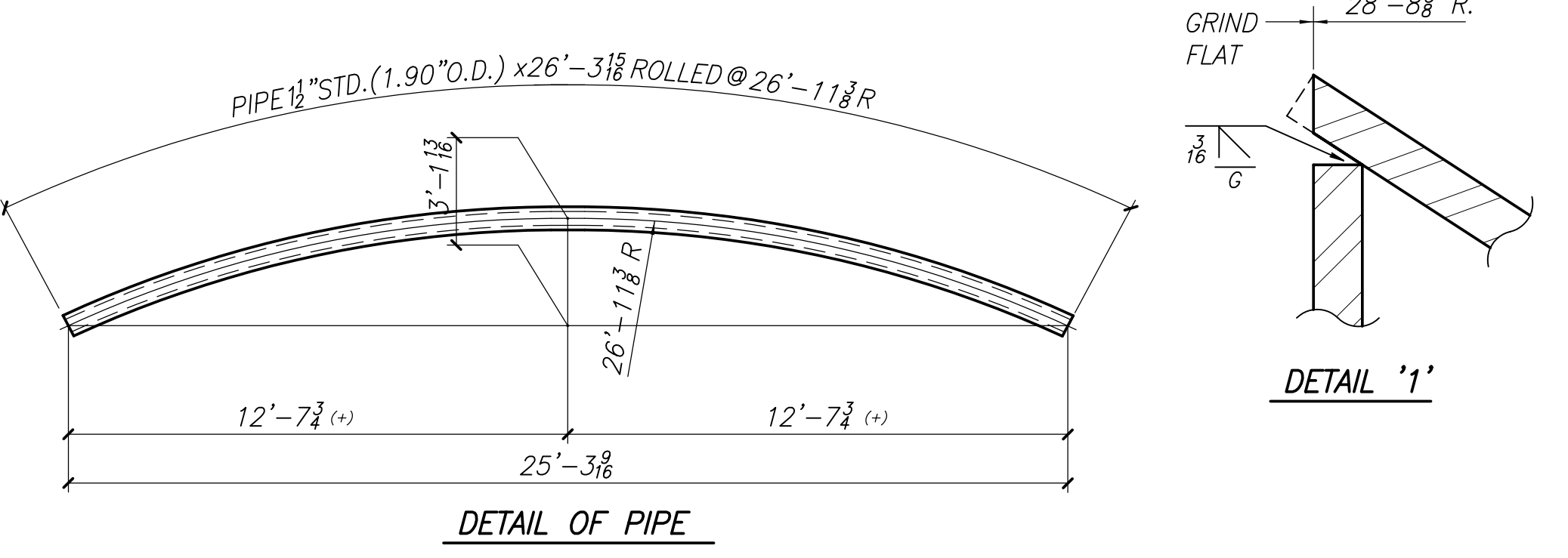
SECTION C-C

PLAIN MATERIAL

ONE - 1/4 x 3/8 x 28'-0 1/2 (ROLLED @ 28'-8 7/8 R) p30
 5 - BAR 2 x 1/2 x 0'-3 1/2 b867

LINE NO.	SEQ. NO.	QTY.	MARK	DESCRIPTION	LENGTH		REMARKS	ORDERED		WEIGHT
					FT.	IN.		PAGE	LINE	
1	-	ONE	67M1	EDGE FRAMING ASSEMBLY	-	-				
2		LF		PIPE 1/2" STD.	29	0	(1.90" O.D.)			
3		1	b864	BAR 2 1/2 x 1/2	28	0 1/2	(ROLLED)			
4		1	p5	PLATE 1/4 x 10	28	0 1/2	(ROLLED)			
5		1	m887	HSS 2 x 2 x 1/2	2	2 1/2	SQ. 1.E. M.1.E.			
6		2	m943	HSS 2 x 2 x 1/2	2	5 1/8	SQ. 1.E. M.1.E.			
7		2	m948	HSS 2 x 2 x 1/2	2	8 1/8	SQ. 1.E. M.1.E.			
8		5	m918	HSS 4 x 2 x 1/2	0	6 1/8	M.2.E.			
9		5	b865	BAR 1 1/2 x 1/2	0	5	M.2.E.			
10		5	b868	BAR 4 x 3/8	1	6 3/8				
11		2	a856	ANGLE 2 x 2 x 1/2	3	2 1/2	(ROLLED)			
12		4	a857	ANGLE 2 x 2 x 1/2	5	2	(ROLLED)			
13		1	p30	PLATE 1/4 x 3/8	28	0 1/2	(ROLLED) (PLAIN)			
14		5	b867	BAR 2 x 1/2	0	3 1/2	(PLAIN)			
15										
16										

SHOP NOTES
 - MEASURE FIELD CONDITIONS PRIOR TO RAIL FABRICATION.
 - RAILING TO BE OF CONTINUOUS WELDED CONSTRUCTION AND FREE OF ALL BURRS & SHARP CORNERS.
 - ALL EXPOSED WELDS TO BE CONTINUOUS AND GROUND FLUSH.

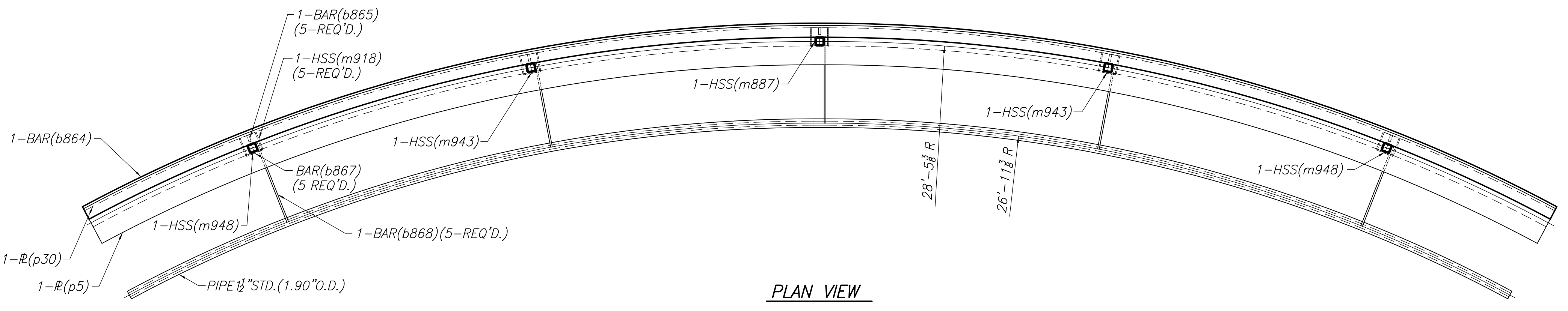


DETAIL OF PIPE

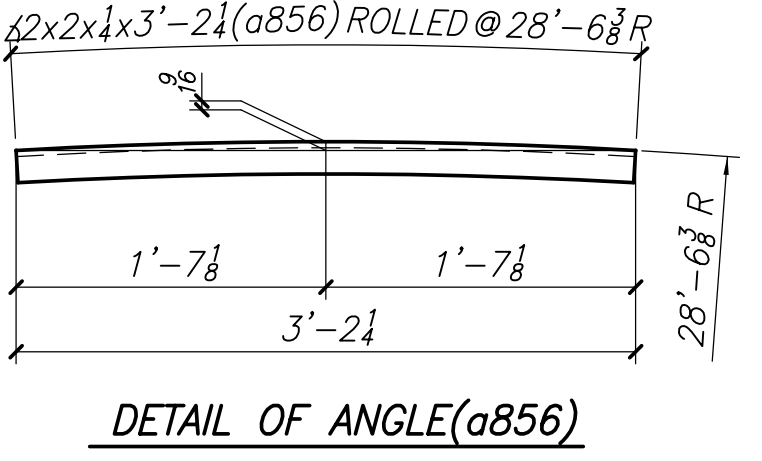
DETAIL OF HSS(m887)

DETAIL OF HSS(m943)

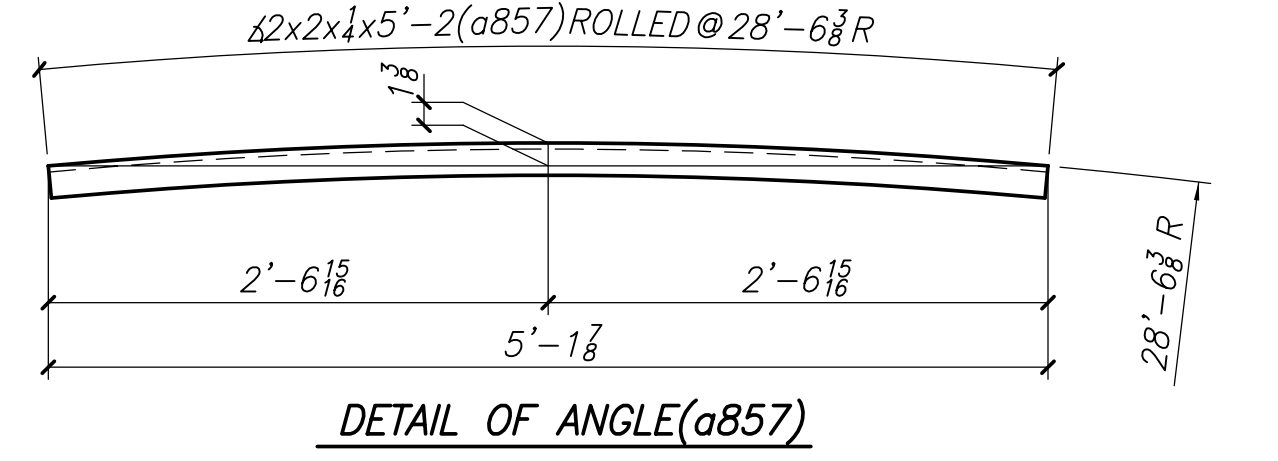
DETAIL OF HSS(m948)



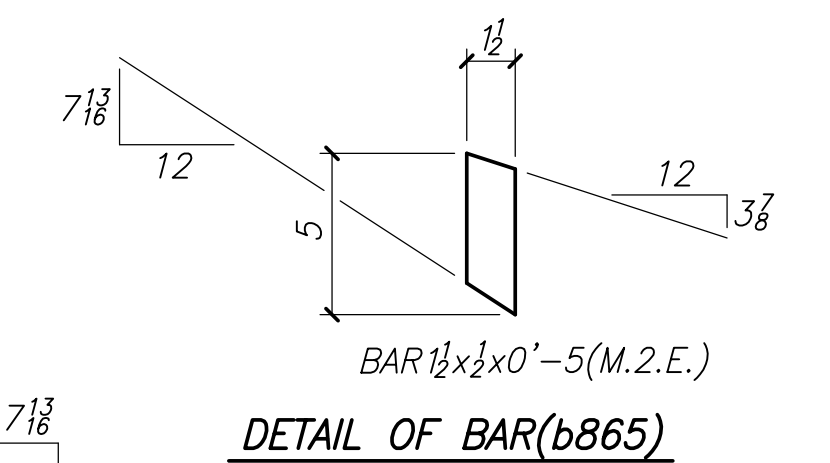
PLAN VIEW



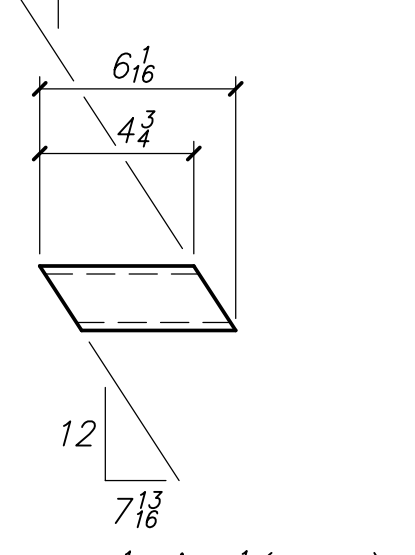
DETAIL OF ANGLE(a856)



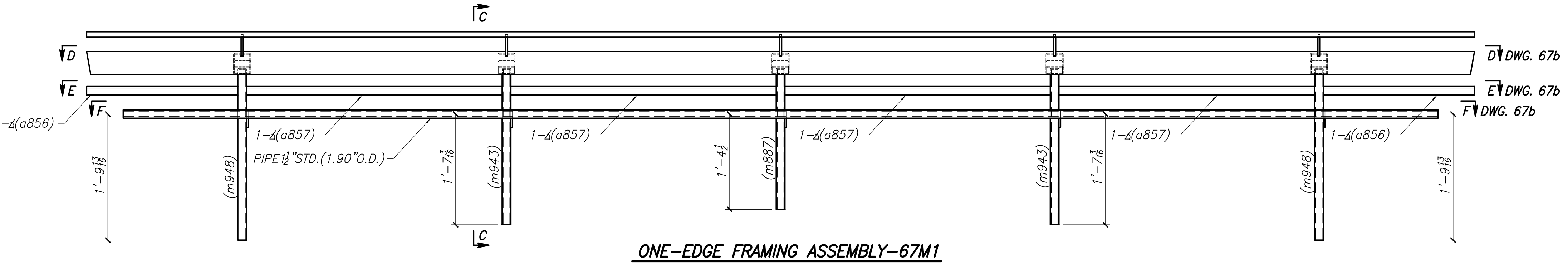
DETAIL OF ANGLE(a857)



DETAIL OF BAR(b865)



DETAIL OF HSS(m918)



ONE-EDGE FRAMING ASSEMBLY-67M1

WORK THIS DWG. WITH DWG. 67b
 REFERENCE ERECTION DWG(S): E28

REV		DATE	REV'D PER APPVL & CHECKING	DESCRIPTION
Δ	2-11-11		REV'D PER APPVL & CHECKING	

TECH DYNAMICS INC. FABRICATION
 TOLEDO OHIO

HOLES -	DRAWN BY MTF	NO	ISSUED
WELD E70XX	DATE 5-6-10		
STEEL A36, A500-GR.B	CHK'D BY MRH		
PAINT SSPC-SP3	DATE 02-08-11		
	CONTRACTOR		
	1-S/C STD. PRIMER		
ARCH. THE COLLABORATIVE INC.	CONTRACTOR RUDOLPH/LIBBE, INC.		
ENGR. KORDA/NEMETH ENG., INC.			
	LOCATION BOWLING GREEN, OHIO		
PROJECT BGSU - THE WOLFE CENTER FOR THE ARTS	JOB NO. 09-037	SHEET NO. 67a	REV.A